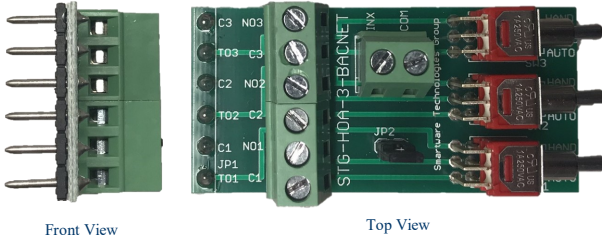


STG-HOA-3-BACNET



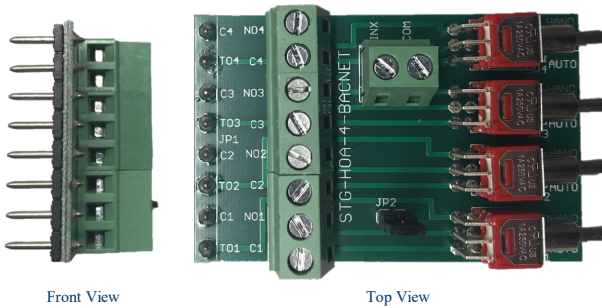
Front View

Top View

DESIGNED FOR:

- I/A BACnet Product Line
- Not for MNB-V1 or MNB-V2

STG-HOA-4-BACNET



Front View

Top View

BENEFITS & FEATURES:

- Manual Override of individual output channels
- Monitoring of each individual switch's override status.
- Eliminates the need for interface software when checking out / trouble shooting end devices.

HOA BACnet SERIES:

The HOA BACnet Series of Digital Output Override Cards are available in two varieties: three and four channel versions. These cards allow for manual override switching of a controller's output channel. The card was designed for the TAC MNB-300, MNB-1000, and MNB-1000-15 Controllers but may be applied to any controller via interposing terminals. The HOA BACnet cards allow an operator to manually select On-Off-Auto positions for a particular piece of equipment. Monitoring of its own override status is an added feature. Terminals INX and COM provide an individual switch status.

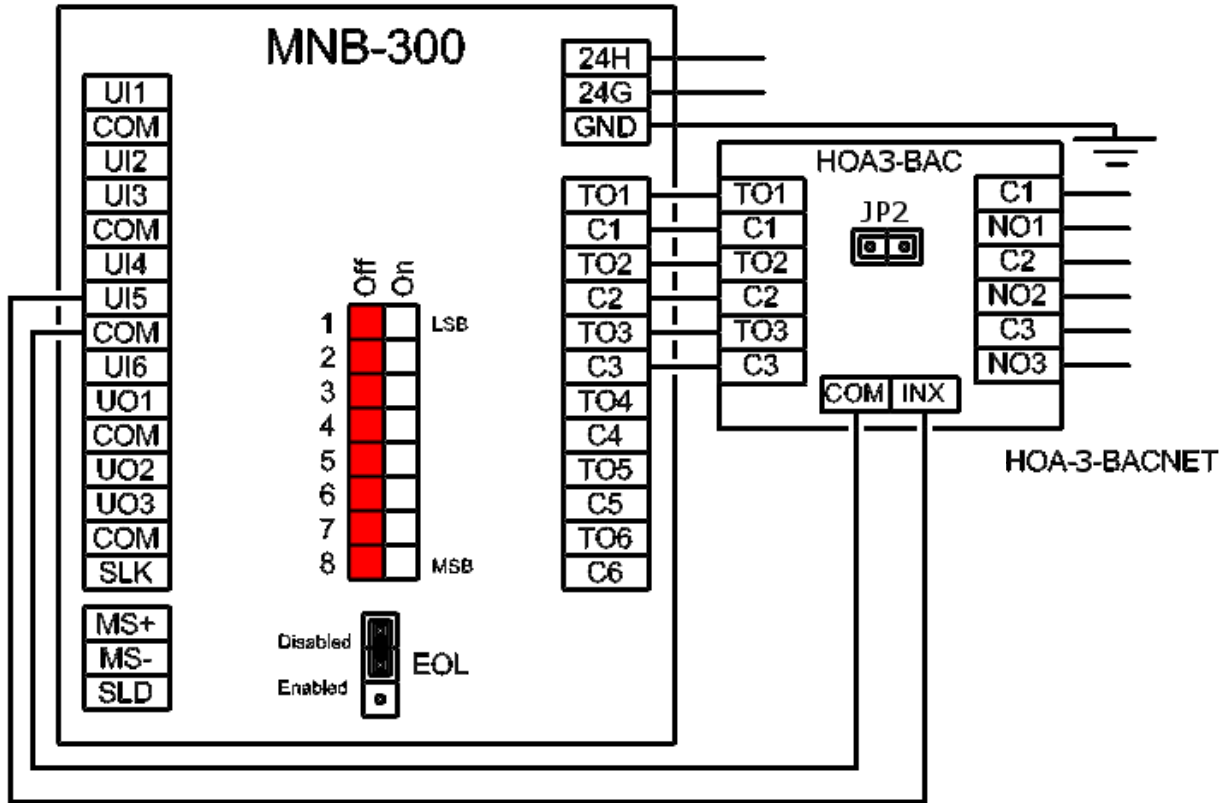
SPECIFICATIONS:
Operating Temperature:

+32 to +122 Degrees F

Contact Rating:

 Up to 1 Amp at 250 VAC
 or Up to 3 Amps at 120 VAC

WIRING:



SOFTWARE:

This card uses a custom DUI object in Workplace Tech for determining the status of the proper outputs. See the following instructions for object use and installation.

Custom	
DUI_Input	DI1_Out
DbTime	DI2_Out
	DI3_Out
	DI4_Out
	DI5_Out
DUI_App	

CUSTOM DUI OBJECT:

Background

The IA Series BACnet controllers do not currently support the DUI object. Until support is added, an application performing the same basic function was created and tested. This application was created as a custom object named “DUI_App”. It was tested for use with the DUIC-5P-12V interface module and all IA Series BACnet controllers. This custom object must be used with an “Analog Input” object whose “Type” property is set to “6 – Resistance 1K” and is connected to a physical UI point.

Distribution Form

Since the application is a custom object, we are able to distribute it in a more efficient manner, where it is part of a custom stencil. This custom stencil is named “Application Objects”. By doing it in this manner, it will have a similar look and feel to it as the other standard controller objects do. Additionally, this approach can be the starting point of offering other custom objects performing specific functions requested by our field offices.

Installation

With Visio\WP-Tech closed, place the custom “Application Objects” stencil in the “C:\Program Files\WorkPlaceTech\Solutions” directory so that all users on that PC can have access to it. Once the custom stencil is in this location, it can be opened from within WP-Tech by selecting “File – Shapes – Application Objects” from the menu on Visio 2003 or “File – Stencils – C:\...Solutions – Application Objects” from the menu on Visio 2002. The stencil will be docked along with the default controller stencils on the left side of the page. Once opened, it can be treated like any other stencil used by WP-Tech. The **DUI_App** object can be dragged from the stencil onto a drawing as many times as is required. Since the object is based on a custom object, its use must abide by all the same rules and requirements. Therefore, each time the object is placed on a drawing, WP-Tech will create another drawing page containing its the application logic. Typically, no user calibration should be required since the application follows the same resistance table used for the IA Series LonMark controllers.

Messages Displayed When Using Custom Stencils

Depending upon which version of Visio is being used (Visio 2002 or Visio 2003), the user may see warning messages when opening or closing the custom stencil and/or a drawing that was saved with the stencil open. These messages and their responses are documented below in an effort to eliminate the confusion they may cause.

CUSTOM DUI OBJECT:

WP-Tech using Visio 2002

When the stencil is opened from within a drawing, the system will display the following warning window. Simple respond to it by clicking “OK”. This warning message will be displayed anytime the stencil is opened or a drawing containing this stencil is opened.



No other messages should be displayed as a result of using the custom stencil.

WP-Tech using Visio 2003

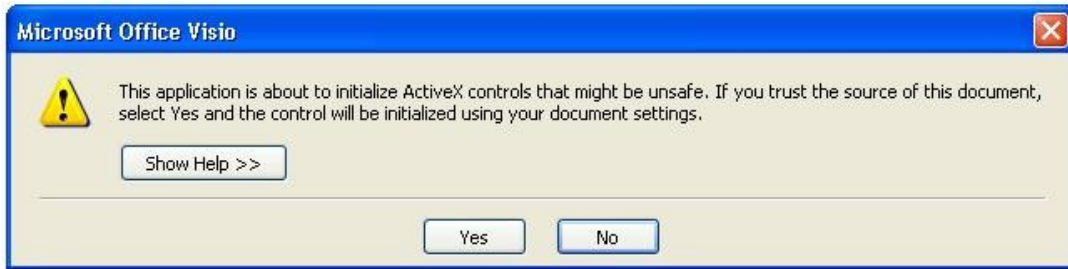
When the stencil is used within the Visio 2003 environment, 3 different windows will be displayed. Two will appear any time the stencil is opened or a drawing with the stencil saved within it is opened. One will appear any time the stencil is closed or a drawing containing the stencil is closed.

When the stencil is opened from within a drawing, the system will first display the following warning window. Simply respond to it by clicking “Enable Macros”.



CUSTOM DUI OBJECT:

Then, the following warning window will be displayed. Respond to it by clicking “Yes”.



After the second window disappears, the stencil will be opened and docked to the left side of the drawing. At this point, it can be used like any other stencil. The DUI_App object can be placed on the drawing as many times as is required.

The last message will be displayed anytime the stencil is closed or a drawing containing the stencil is closed.



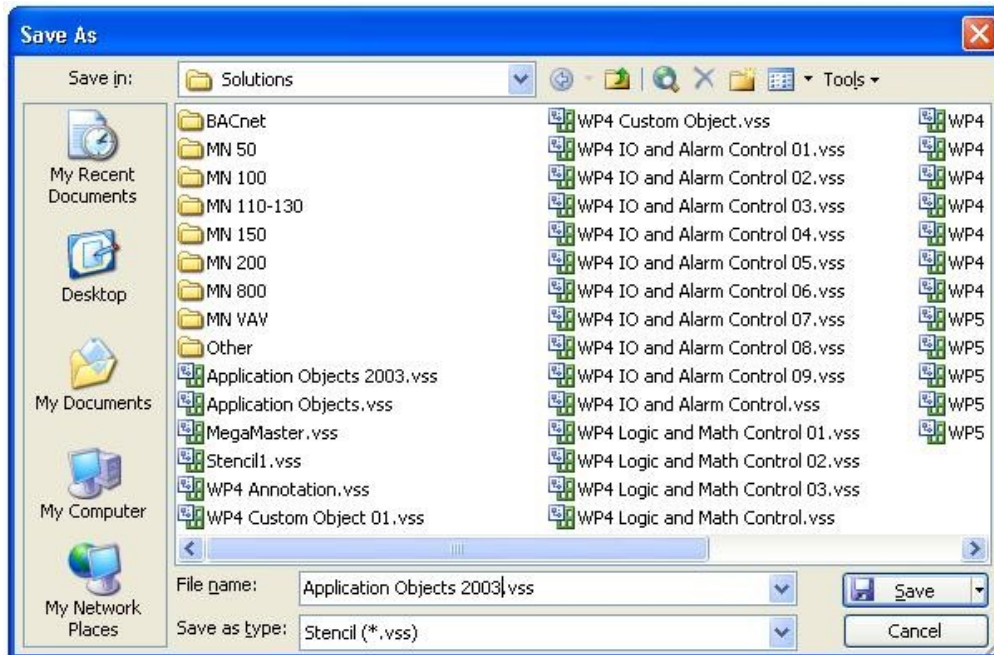
Always respond to it by clicking “No”. To make the custom stencil compatible with both Visio 2002 and Visio 2003, it was created using WP-Tech with Visio 2002. This message detects that fact and prompts the user to save it since the system converted it for use in Visio 2003. By not saving the stencil in Visio 2003 format, it can remain compatible with both versions of Visio.

If the dual version compatibility of the custom stencil is not required, you can respond to the prompt by clicking “Yes” and assigning the stencil a new name. If “Yes” is selected, the following window will be displayed. Click “OK”



CUSTOM DUI OBJECT:

Then the following window is displayed. Enter a new name such as “Application Objects 2003” and click “Save”. This saves the updated copy into the correct directory using the new name.



Once this has been done, the new copy of the stencil can be used and you will no longer get the prompt to save when closing the stencil.